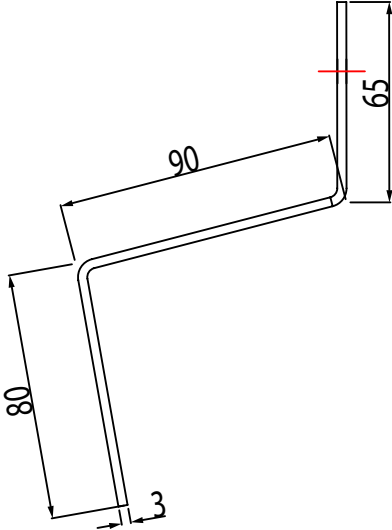
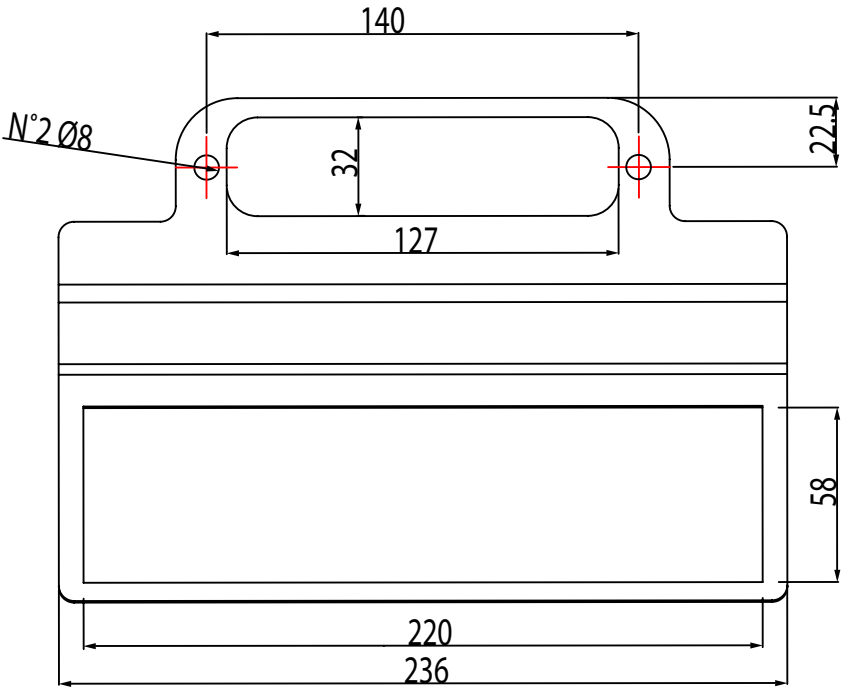


# STFA12



dimensions in mm